

# Manual Switches

## Electronic Control Rocker

### INCANDESCENT OR NON-LIGHTED DISPLAY



#### FEATURES

- Silver or gold contacts.
- 2 or 3 position operation.
- UL recognized, CSA certified.
- Lamps can be furnished installed or ordered separately.
- Lamp circuit independent of switch circuit.

|                     |              |
|---------------------|--------------|
| Electrical Data     | page 19      |
| Rockers             | page 51      |
| Lamps               | page 58      |
| Accessories         | pages 56, 57 |
| Mounting Dimensions | pages 59, 62 |



\*AML24 Series: 1 pole and 2-pole only.

Rocker operators ordered separately.

### AML24 ORDER GUIDE

| AML24 E   | B                  | A   | 2   | AA  | 01  |
|---|--------------------|---|---|---|---|
| <b>Housing Type</b>   | <b>Bezel Color</b> | <b>Incandescent Lamp Type</b>   | <b>Terminal Type</b>  | <b>Circuitry Codes</b>                          | <b>Operating Action</b>                         |
| <b>AML24 E</b><br>Rectangular<br>Non-Lighted<br><br><b>AML24 F</b><br>Rectangular<br>1 Lamp Ckt. (A)<br><br><b>AML24 G</b><br>Rectangular<br>2 Lamp Ckts. | <b>B</b><br>Black  | <b>A</b><br>No Lamp<br>Installed<br><br><b>B</b><br>6 V Lamp*<br><br><b>C</b><br>14 V Lamp*<br><br><b>E</b><br>28 V Lamp* | <b>2</b><br>.110 × .020<br>(Solder or<br>Quick-Connect)<br><br><b>3</b><br>.025 × .025<br>(Printed Ckt.,<br>or Push-on) | Insert Code letters as shown in Circuitry Chart | Insert Code numbers from Operating Action Chart |



① The "MICRO SWITCH" identification is shown on this side of the switch housings.

\* Lamps will be installed per each lamp circuit specified in the Housing Type.

#### Example: AML24EBA2AA01

Rectangular non-lighted rocker switch housing; black bezel; .110 × .020 terminals; with one circuit ON and one circuit OFF in each extreme operator position (maintained).

### CIRCUITRY

| Silver Contacts                 | Gold Contacts | 2-Position | 3-Position |  |
|---------------------------------|---------------|------------|------------|--|
| AA                              | BA            |            |            |  |
| AC                              | BC            |            |            |  |
| (Non-illuminated switches only) |               |            |            |  |
| CA                              | DA            |            |            |  |
| CC                              | DC            |            |            |  |
| (Non-illuminated switches only) |               |            |            |  |

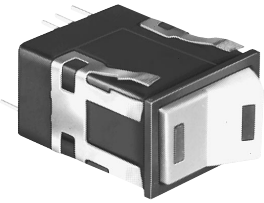
### OPERATING ACTION

| 2-Position: |              |        |
|-------------|--------------|--------|
| Maint.      | 01<br>None   | Maint. |
| Mom.        | 02<br>None   | Maint. |
| Maint.      | 03<br>None   | Mom.   |
| 3-Position: |              |        |
| Maint.      | 04<br>Maint. | Maint. |
| Mom.        | 05<br>Maint. | Mom.   |
| Maint.      | 06<br>Maint. | Mom.   |
| Mom.        | 07<br>Maint. | Maint. |

# Manual Switches

## Electronic Control Rocker

### LED DISPLAY



Rocker operators ordered separately.  
LEDs are not replaceable.

### FEATURES

- Identical to AML24, except furnished with one or two rectangular high efficiency LED's which give flush display area and wide angle indication.
- Available with or without diode protection for LED's.
- LED circuit independent of switch circuit.

|                     |              |
|---------------------|--------------|
| Electrical Data     | page 19      |
| Rockers             | page 52      |
| Lamps and LEDs      | page 58      |
| Accessories         | page 57      |
| Mounting Dimensions | pages 59, 62 |

- 5 thru 24 VDC LED devices have internal resistor to maintain current at nominal 20 mA.
- UL recognized, CSA certified.



\*AML26 Series: 1 pole and 2-pole only.

### AML26 ORDER GUIDE

#### AML26 F B B 2 AA 01 R X

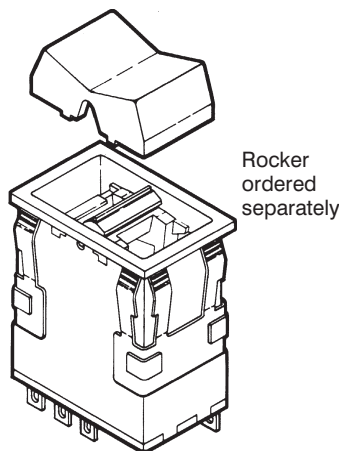
| Housing Type              | Bezel Color       | LED Voltage      | Terminal Type/<br>Diode Protection                    | Circuitry Codes  | Operating Action                                | LED Color (LED A)  | LED Color (LED B)  |
|---------------------------|-------------------|------------------|---|--|---|--------------------|--------------------|
| <b>AML26 F</b><br>1 LED   | <b>B</b><br>Black | <b>B</b><br>V*   | <b>2</b><br>.110 × .020<br>(Solder or Quick-Connect)  | Insert code letters as shown in Circuitry Chart  | Insert code numbers from Operating Action Chart | <b>R</b><br>Red    | <b>R</b><br>Red    |
| <b>AML26 G</b><br>2 LED's |                   | <b>C</b><br>5 V  | <b>3</b><br>.025 × .025<br>(Printed Ckt., or Push-On) | LED version available only with<br><b>AA</b><br><b>BA</b><br><b>CA</b><br><b>DA</b><br>circuitry |   | <b>Y</b><br>Yellow | <b>Y</b><br>Yellow |
|                           |                   | <b>D</b><br>10 V | <b>8</b><br>.110 × .020<br>w/Diode for LED protection |  |   | <b>G</b><br>Green  | <b>G</b><br>Green  |
|                           |                   | <b>E</b><br>15 V |   |  |   | <b>X</b><br>No LED | <b>X</b><br>No LED |
|                           |                   | <b>F</b><br>24 V |   |  |   |                    |                    |

\*See LED application information for devices without current-limiting resistor, page 58.

Example: **AML26FBB2AA01RX**  
Rectangular rocker switch; illuminated with one LED, this device has a black bezel, .110 × .020 terminals; with one circuit ON and one circuit OFF in each extreme operator position (maintained).



① The "MICRO SWITCH" identification is shown on this side of the switch housings.



Manuals